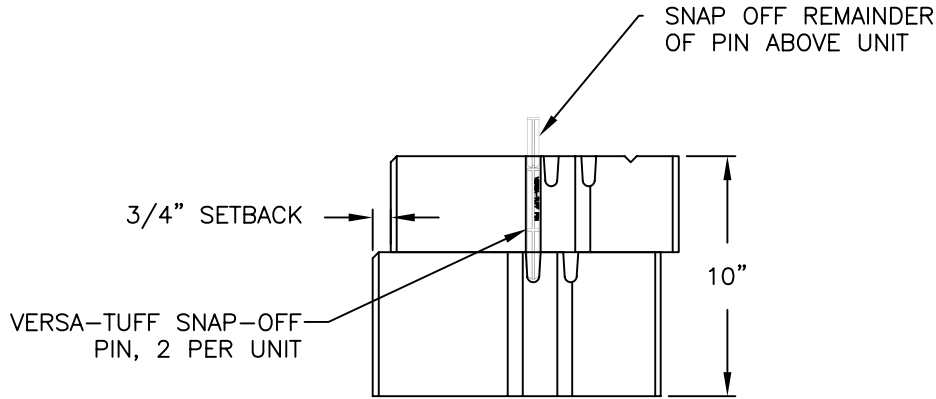
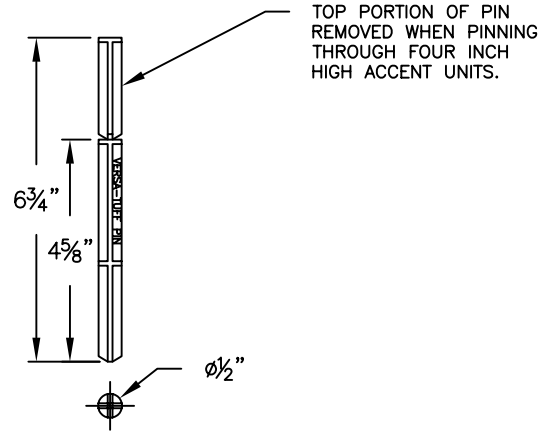


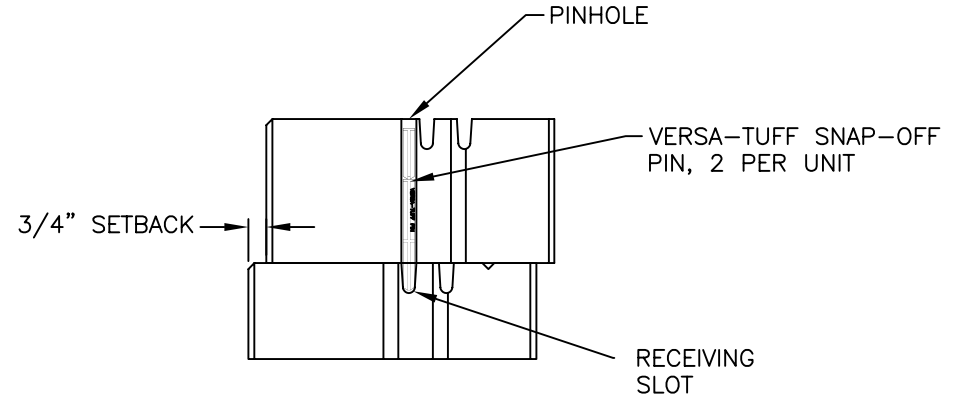
VERSA-TUFF SNAP-OFF PIN

PIN DIMENSIONS
SCALE: NONE



PINNING DETAIL

PINNING 4" HIGH ACCENT TO 6" HIGH STANDARD/COBBLE
SCALE: NONE



PINNING DETAIL

PINNING 6" HIGH STANDARD/COBBLE TO 4" HIGH ACCENT
SCALE: NONE

NOT FOR CONSTRUCTION

THESE PRELIMINARY DETAILS ARE INTENDED AS AN AID IN DESIGNING ATTRACTIVE, DURABLE RETAINING WALLS WITH VERSA-LOK STANDARD UNITS. FINAL DETERMINATION OF THE SUITABILITY OF ANY INFORMATION OR MATERIAL FOR THE USE CONTEMPLATED, AND ITS MANNER OF USE, IS THE SOLE RESPONSIBILITY OF THE USER. A FINAL PROJECT SPECIFIC DESIGN SHOULD BE PREPARED BY A QUALIFIED, LICENSED, PROFESSIONAL ENGINEER.



VERSA-LOK®
Retaining Wall Systems

(800)770-4525 fax(651)770-4089
6348 Hwy36 Ste1, Oakdale, MN 55128 **Solid Solutions™**

VERSA-LOK MOSAIC DETAILS

MOSAIC PINNING

SCALE:	AS NOTED
DRAWN BY:	PPS
CHECKED BY:	
DATE:	10/03
DWG. NO.	R18 MOSAIC PINNING